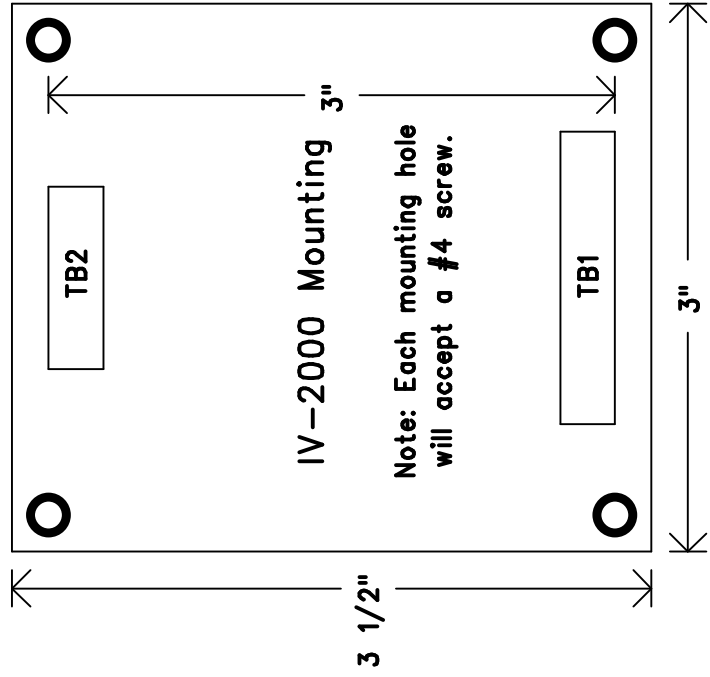
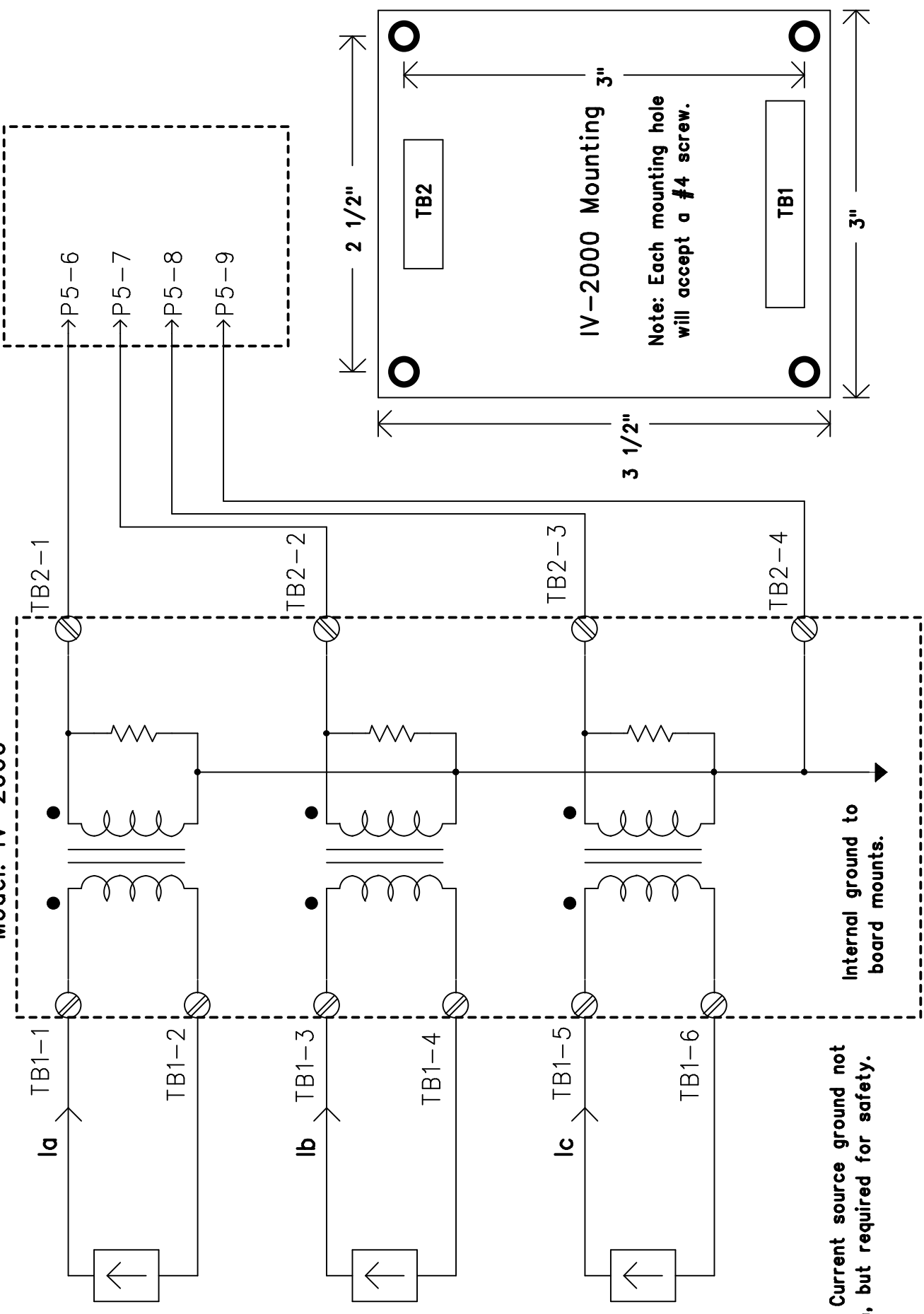


RTU2000

Model: IV-2000



Note: Current source ground not shown, but required for safety.

Internal ground to board mounts.

This drawing is online at: www.relatronics.com/files/iv2000.pdf